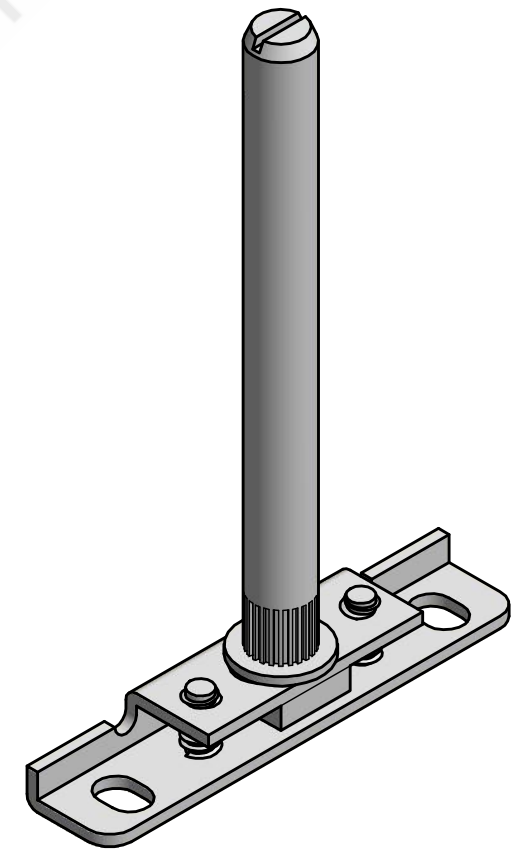
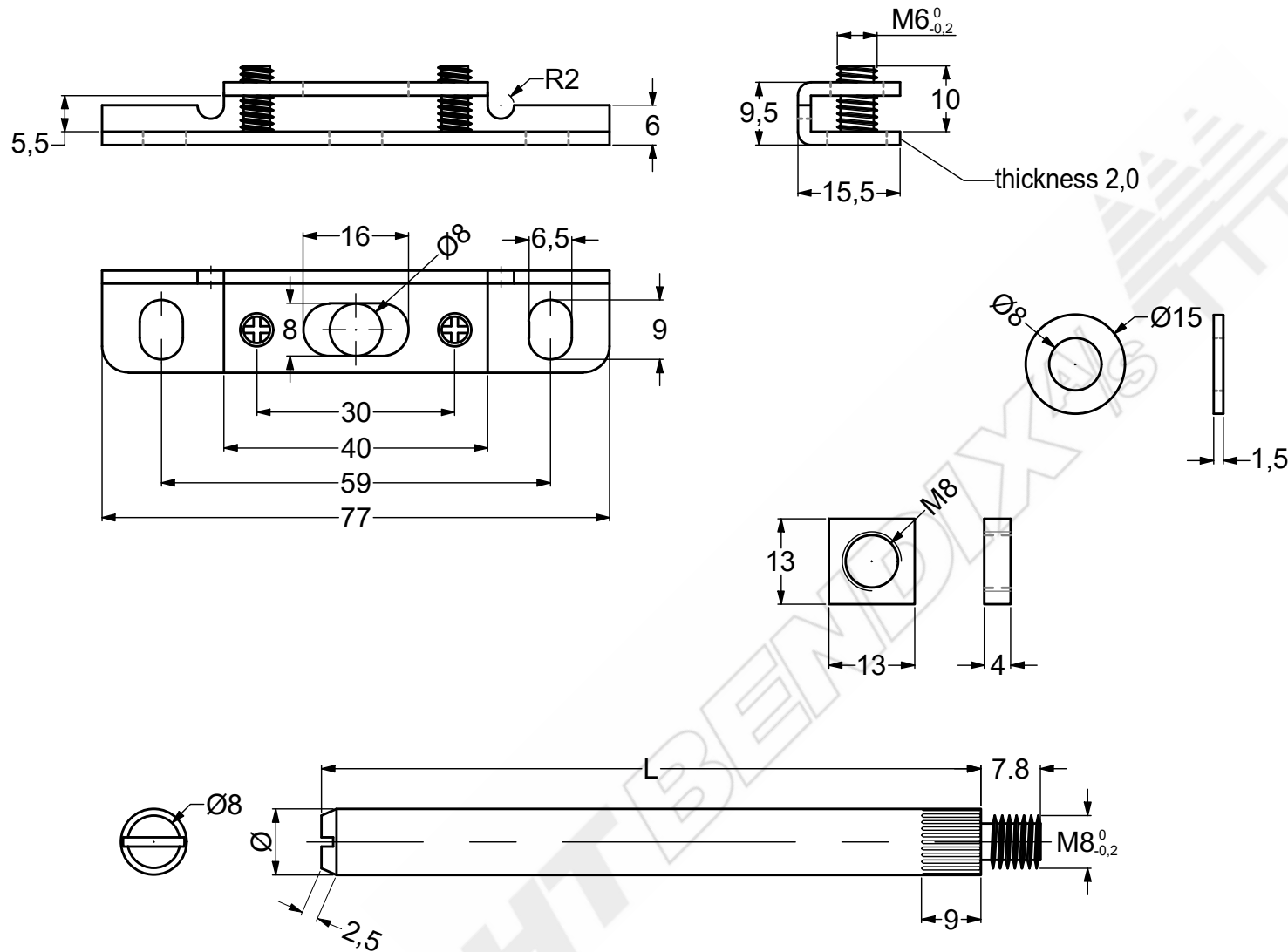
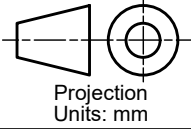


| Item no. | Ø | L |
|----------|----|-----|
| 312943 | 10 | 102 |

General tolerances
 Unless otherwise stated
 according to
ISO 2768-1 class c



| | | | |
|------------------------------------|--|-------------------------|--|
| Item: Shelf support vario | | Ref.: Henk |  Projection Units: mm |
| Material: Metal | | Page 1 / 1 | |
| Surface finish: Zinc plated | | Creation date: 2013/9/3 | Drawing no. 006-27-03 |
| Creation date: 2013/9/3 | | Last changed: 2019/3/25 | |