

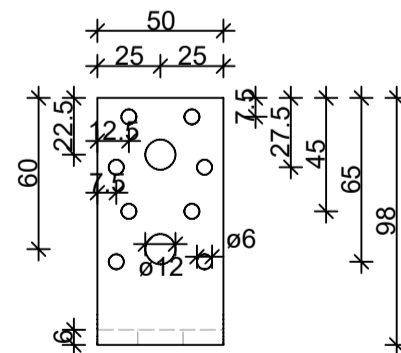
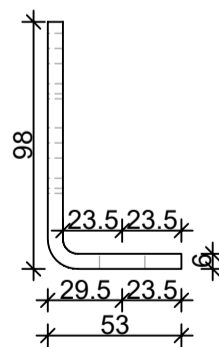
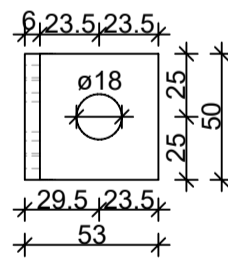
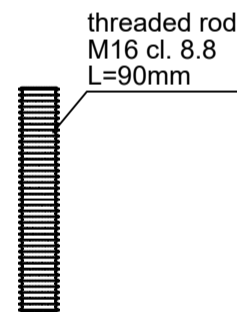
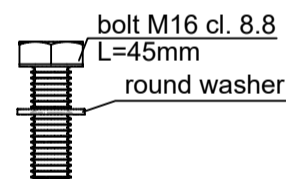
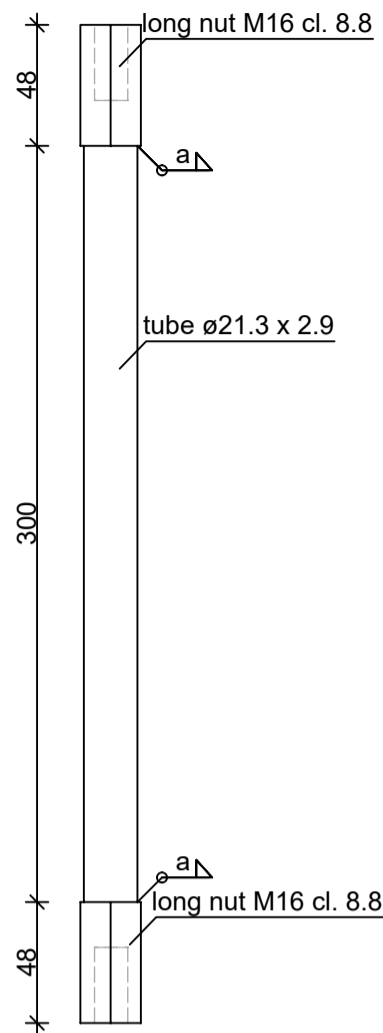
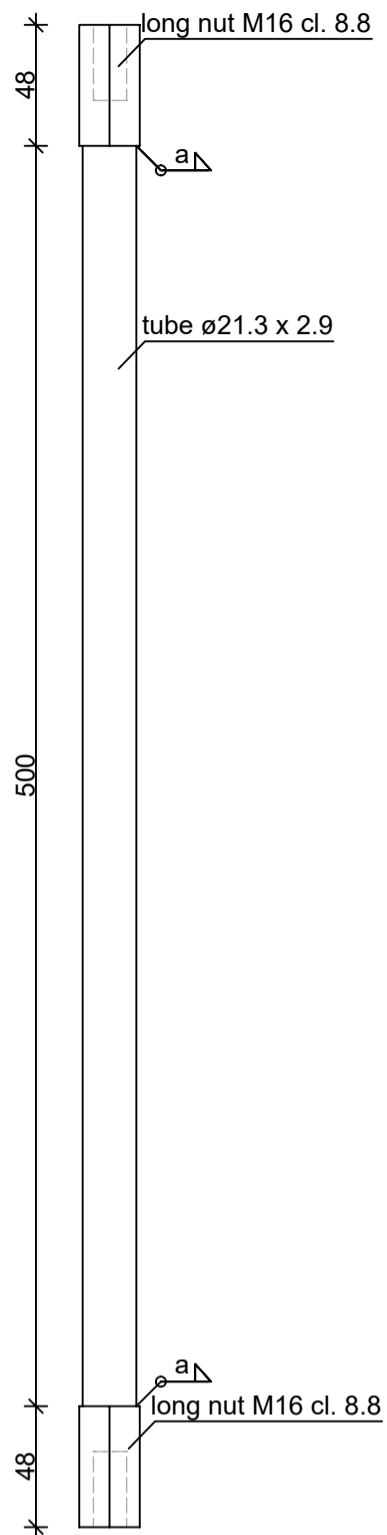
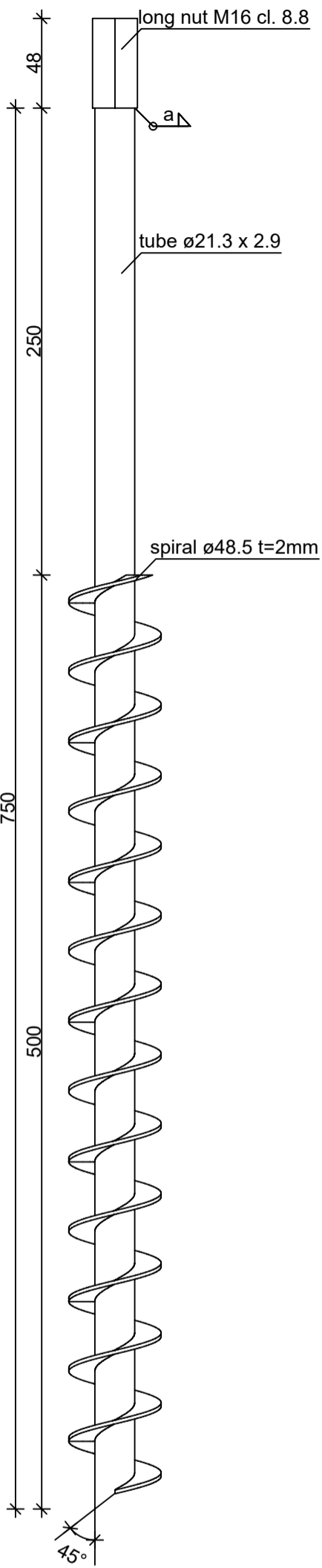
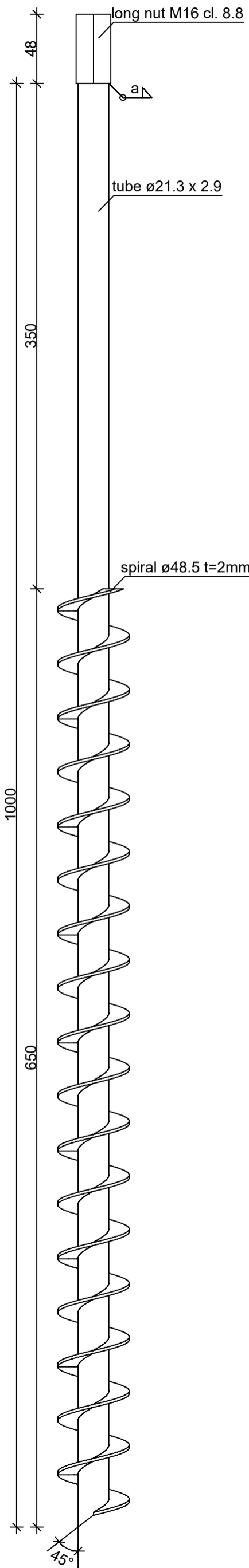
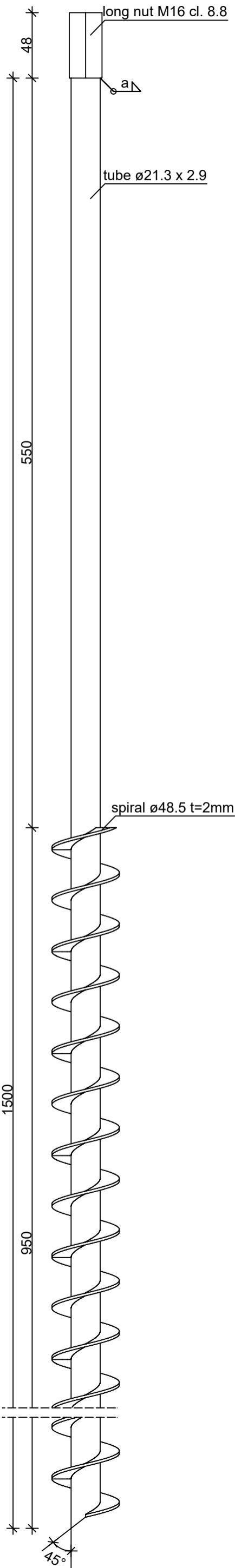
Twister foundation
M16 L=1500mm

Twister foundation
M16 L=1000mm

Twister foundation
M16 L=750mm

Extensioener
M16 L=500mm

Extensioener
M16 L=300mm



L-bracket made of steel S355

Design company
GROUNDPLUG® CONFIDENTIAL

Part:	prod. draw.	Number of drawing:	PPT 2 rev.1	Finish:	HDG acc. to ISO EN 1461	Date:	05.2022
Product/Title:	Twister foundation M16	Material/Steel grade:	S235	Sub-grade:	-	Scale:	1:3
Design:		Signature:		Tolerances acc.to: PN-EN ISO 9013: 2008 PN-EN ISO 13920: 2000 EXC2			
Check:		Signature:					
Draw:		Signature:					